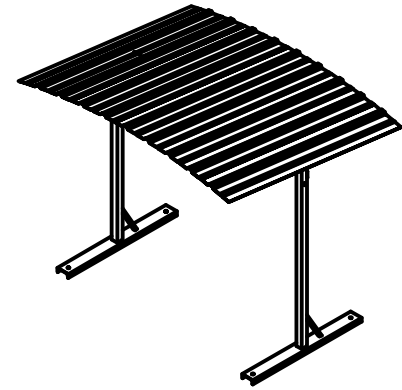
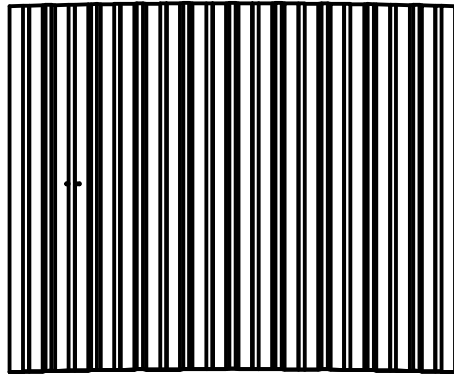


2

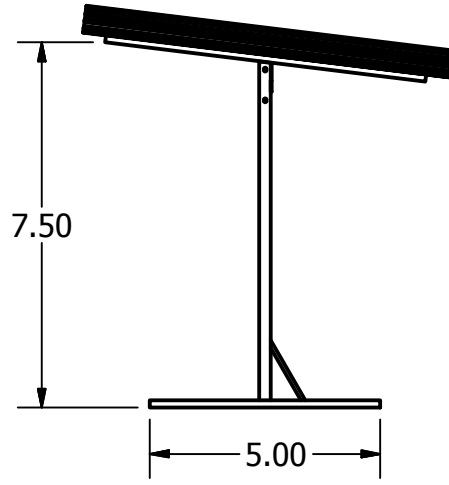
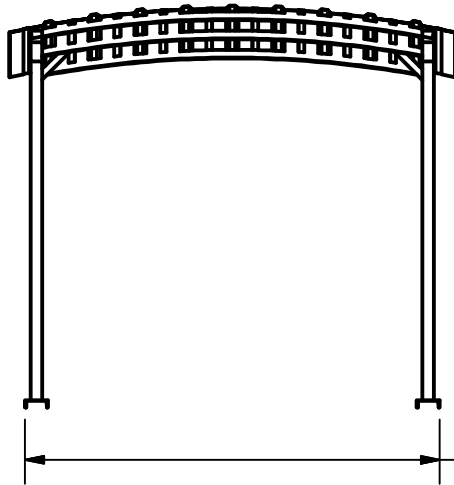


1



B

B



9.00

5.00

7.50



A

A

DRAWN Brennan	12/13/2013	Creative Metalworks, LLC		
CHECKED		TITLE		
QA		9 ft. Davis Shelter		
MFG		SIZE	DWG NO	REV
APPROVED		A	Davis Shelter Drawing	
		SCALE	SHEET 1 OF 1	

2



1