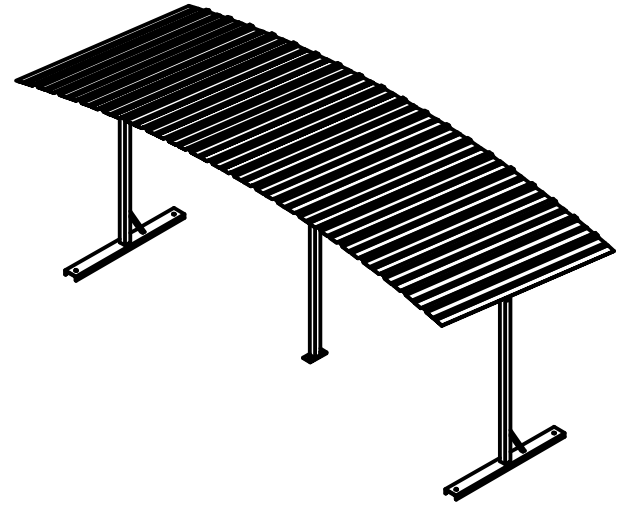
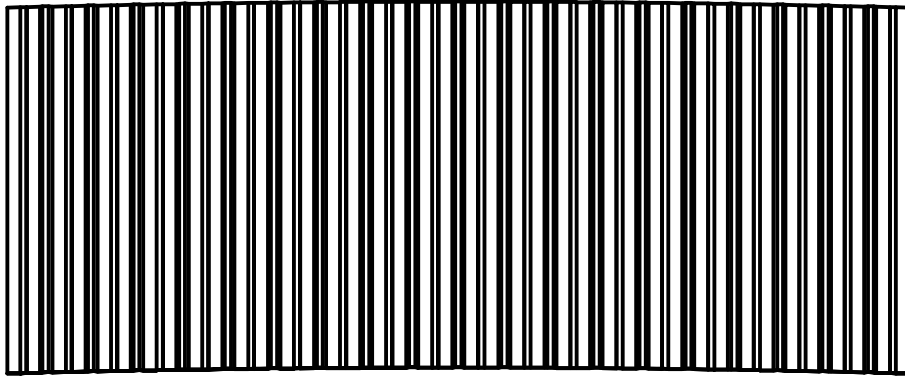


2

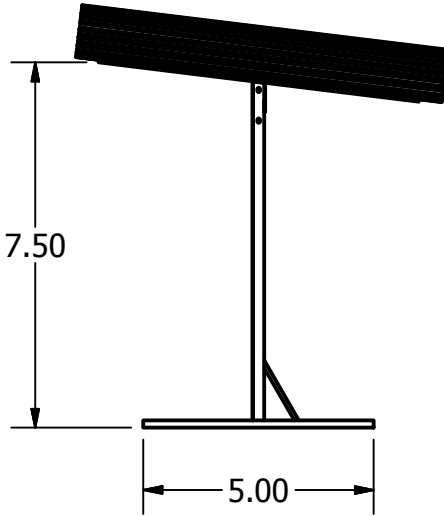
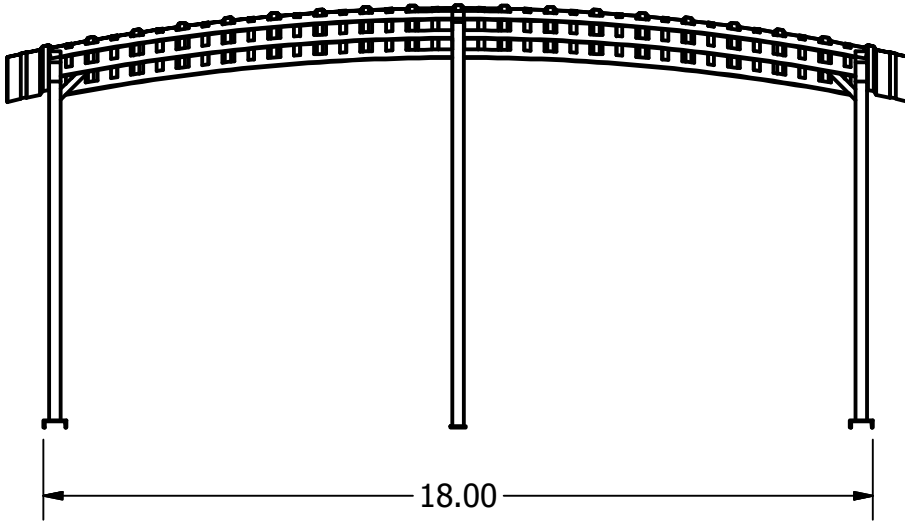


1



B

B



A

A

| | |
|------------------|------------|
| DRAWN Brennan | 12/13/2013 |
| CHECKED | |
| QA | |
| MFG | |
| APPROVED | |
| | |
| | |

| | | | |
|--------------------------|-----------------------|-----|--|
| Creative Metalworks, LLC | | | |
| TITLE | | | |
| 18 ft. Davis Shelter | | | |
| SIZE | DWG NO | REV | |
| A | Davis Shelter Drawing | | |
| SCALE | SHEET 1 OF 1 | | |

2



1